



THUNDERBOT

MANUAL

THUNDEROBOT Noise Cancellation 7.1 virtual Surround sound USB headset User's Guide

Introduction

THUNDEROBOT Noise Cancellation 7.1 virtual Surround sound USB headset, is compatible with PC and PS4. Suitable for games, music, web chat, video conference and other voice occasions; When the active noise cancelling switch is turned on, you can clearly feel that after the active noise cancellation, the surrounding environment is quiet, allowing you to pinpoint directional audio to know exactly where your enemies are. The Omnidirectional microphone, pickup without alignment sound source, no direction required.

Package Contents / System Requirements

Package Contents:

- Headset
- User's Manual
- Warranty card

System Requirements:

- USB2.0 port
- 7.1 Surround Sound Driver
- Windows®7 or higher version
- Internet connection

Technical Specification

Headphones

4 discrete Neodymium magnet drivers.

Each ear cup contains Two Drivers:

Main Speaker:

- 40mm Neodymium magnet with Titanium coated diaphragm
- Frequency Response: 20Hz ~ 20kHz
- Impedance: 32 Ω
- Sensitivity @1kHz: 132dB \pm 3dB

Secondary Speaker:

- 30mm Neodymium magnet with Titanium coated diaphragm
- Frequency Response: 20Hz ~ 20kHz
- Impedance: 32 Ω
- Sensitivity @1kHz: 118dB \pm 3dB

Noise Cancellation Mic:

- Frequency response: 100Hz~10kHz
- Sensitivity @ 1kHz:-40dB \pm 2dB
- Signal-to-noise ratio: 58 dB
- Pickup Pattern: Active noise-cancelling

Microphone

- Frequency response: 100Hz~10kHz
- Sensitivity @ 1kHz: -40dB \pm 3dB
- Signal-to-noise ratio: 55 dB

Cable with Control

- 2M/6.6ft braided fiber cable with control
- USB Connector

Overview



- ① Volume up button
- ② Volume down button
- ③ Power and Microphone on/off LED
- ④ Microphone mute/unmute button
- ⑤ Headset/Speaker mute/unmute button
- ⑥ Active noise-cancelling switch
- ⑦ Active noise-cancelling on/off LED
- ⑧ Movable Microphone
- ⑨ Adjustable padded headband
- ⑩ Circumaural, leatherette ear cushions
- ⑪ Gold-plated USB connector cable

7.1 Virtual Surround Sound Setup

Step 1. Connect THUNDEROBOT Headset to PC USB port

Step 2. Go to www.thunderobot.com support download driver

Step 3. Please refer driver installation manual to set up.

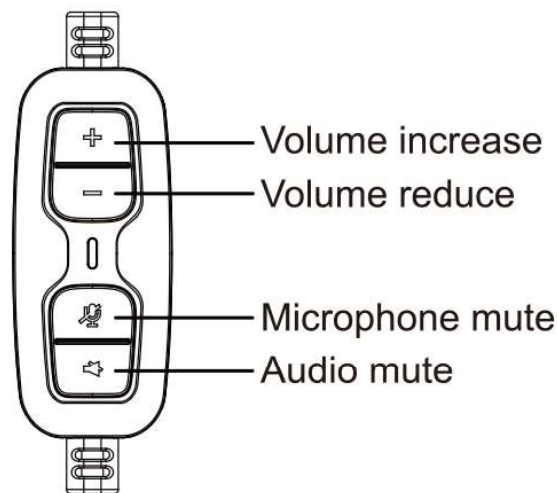
Noise Cancellation

Turn on Active noise-cancelling switch, the noise-canceling microphone receives low-frequency ambient noise. After ANC module circuit operation, the main speaker emits "Inverted Sound Wave" to cancel the low-frequency ambient noise. At the same time, the microphone receives the "inverted sound wave" from the mainspeaker and adjusts it directly through the Filter Circuit Correction phase and then issued by the secondary speaker "Correction of the inverted sound wave" to assist the main speaker to offset more low-frequency ambient noise.

USING YOUR THUNDERBOT 7.1 Noise Cancellation Gaming Headset

Mute Microphone

If you need to mute the microphone, press the microphone mutebutton



Mute the Speaker

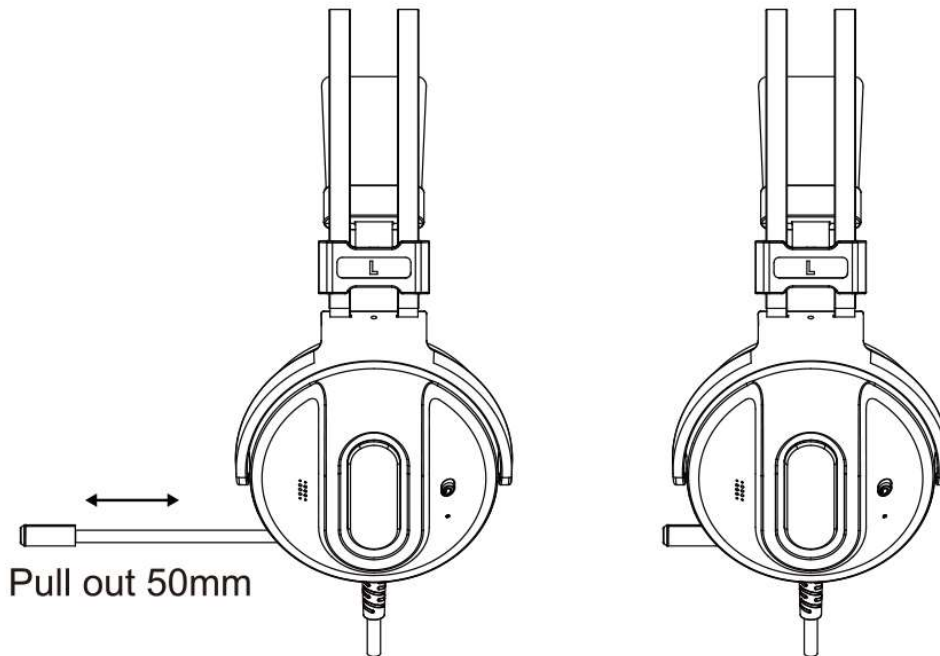
If you need audio mute, press the speaker mute button

Volume Adjustment

If you need to increase or decrease the headphone volume, press "+" or "-" button

Using Microphone

THUNDEROBOT Noise Cancellation 7.1 Virtual Surround Gaming Headphones feature with extendable and moveable omni-directional microphone to ensure the best sound clarity.



Extend Headset Lifetime

We recommend that you gently pull away the headphones before putting them on your head to minimize the pressure on the headband. Please do not over-stretch the headset to avoid exceeding its technical limits.



Setup the default playback device

The first time you use THUNDEROBOT Noise Reduction 7.1 virtual surround sound gaming headset, you will be prompted to set the default playback device.

Step 1: Open your audio settings from Control Panel> Sound>Playback Devices. You can also right-click your sound icon and select a playback device in the status bar.

Step 2: On the Playback tab, select Thunderobot Gaming Headset from the list and click the Set Defaults button.

Step 3: In the Recording tab, select Thunderobot Gaming Headset from the list and click the Set as Default button

For Mac

Step 1. Open System preferences "sound"

Step 2. In output tab, select Thunderobot Gaming Headset

Step 3. In input tab, select Thunderobot Gaming Headset

Safety Guidelines

- Do not keep the headset in a humid or rainy place; to ensure that the device is between 0 degrees to 40 degrees, if the temperature is beyond this range, unplug the device, in order to stabilize the temperature to the optimum level.
- Operate your device only within the specified temperature range of 0°C (32°F) to 40°C (104°F). Should you operate it in a temperature that is beyond this range, unplug the device in order to let the temperature stabilize within the optimal temperature range.
- The device isolates external ambient sounds even at low volumes, resulting in lowered awareness of your external surroundings. Please remove the device when engaging in any activities that requires active awareness of your surroundings.

- Listening to excessively loud volumes over extended periods of time can damage your hearing. Furthermore, legislation of certain countries permits a maximum sound level of 86db to affect your hearing for 8 hours a day. We therefore recommend that you lower the volume to a comfortable level when listening for prolonged periods of time. Please, take good care of your hearing.

If you have any question, please check www.thunderobot.com for support.

Website : www.thunderobot.com

Instagram : www.instagram.com/thunderobotgaming/

Facebook: goo.gl/B1g2VW



雷神耳机说明书

一、产品介绍

欢迎您选用雷神降噪 7.1 虚拟环绕声 USB 游戏耳机，本产品适用于 PC、PS4 主机。采用标准 USB 插头和电脑连接。适用于游戏竞技、音乐欣赏、网络聊天、视频会议等语音场合；当打开主动降噪开关，能明显的感觉到，经过主动降噪抵消后，周围的环境安静了，让您在游戏中精确定位定向音频，确切知道游戏对手的位置。全指向麦克风，拾音无需对准声源，无方向自由对讲。

二、包装内物品/系统要求

包装内物品

雷神耳机、说明书、保修卡、合格证

系统要求

- USB2.0
- 7.1 环绕声驱动
- Windows®7(或更高本版)
- 互联网连接

三、技术规格

四个独立钹磁铁驱动单元

每个耳罩内含：

驱动器 1：

40mm 具有镀钛膜片的钹磁铁单元

频响范围：20HZ~20KHZ

阻抗：32Ω

灵敏度：@ 1KHZ：132db±3DB

驱动器 2：

30mm 钹磁铁单元

频响范围：20HZ~20KHZ

阻抗：32Ω

灵敏度：@ 1KHZ：118db±3DB

降噪麦克风:

频响范围: 100HZ~10KHZ

灵敏度: @ 1KHZ: -40db±2DB

信噪比: 58db

通话麦克风:

频响范围: 100HZ~10KHZ

灵敏度: @ 1KHZ: -40db±3DB

信噪比: 55db

线缆:

2M红点黑纤维编织电缆带线控盒。

USB 电源接口。

四、设备布局



① 音量调高键。

② 音量降低键。

③ 电源与麦克风指示灯。

④ 麦克风静音/取消静音键。

⑤ 音频静音/取消静音键。

⑥ 主动降噪拨动开关。

⑦ 主动降噪指示灯。

⑧ 可抽拉式通话麦克风。

⑨ 可调节衬垫头梁。

⑩ 罩耳式仿皮质耳机软垫。

⑪ 电脑连接线缆, 镀金 USB 接头。

五、7.1 虚拟环绕声设置

步骤 1：连接雷神耳机设备到电脑的 USB 接口。

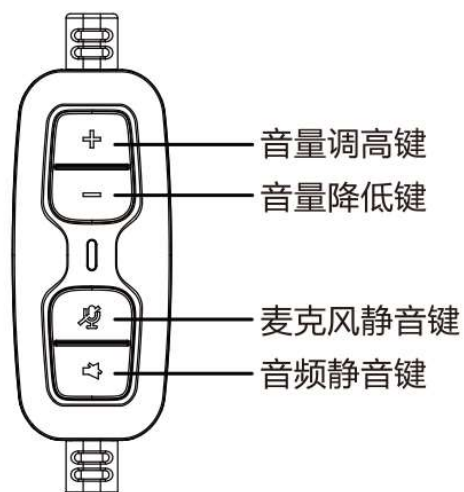
步骤 2：从雷神官方网站可以下载驱动 www.leishen.cn。

步骤 3：可参考提供驱动的安装与操作说明书操作即可。

六、降噪功能

打开降噪开关，降噪麦克风收到低频环境噪音，经过 ANC 模组线路运算，由主喇叭发出"反相声波"抵消低频环境噪音，同时麦克风收到主喇叭发出"反相声波"直接经由 Filter(滤波)电路调整补正相位再经由小喇叭发出"补正的反相声波"辅助主喇叭抵消更多的低频环境噪音。

七、使用雷神降噪 7.1 虚拟环绕声游戏耳机



使麦克风静音

如需要麦克风静音，按下麦克风静音轻触开关中央即可。

使喇叭输出音频静音

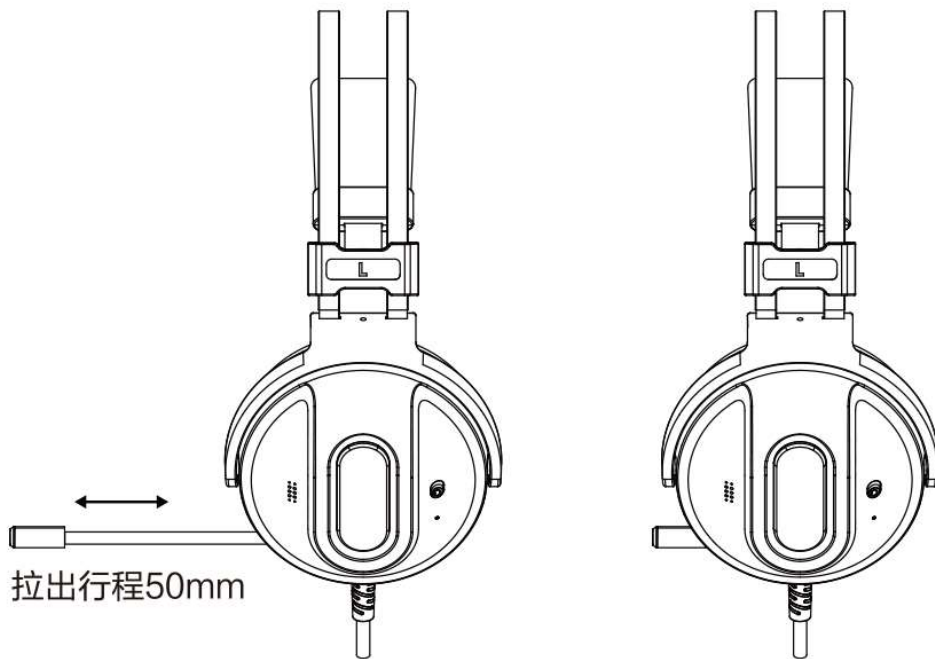
如需要音频静音，按下音频静音轻触开关中央即可。

音量调节

如需要调高或降低耳机的音量，请按“+”或“-”轻触开关按键中央即可。

使用麦克风

雷神降噪 7.1 虚拟环绕声游戏耳机采用可抽拉式的全指向麦克风, 确保提供最佳声音清晰度。



延长耳机的使用寿命

我们建议佩戴在头上之前轻轻拉开耳机, 以尽量减少头梁受到的压力。请不要过度拉伸耳机, 以免超过其技术限制。



八、设置默认播放设备

第一次使用雷神降噪 7.1 虚拟环绕声游戏耳机时，系统会提示您设置默认播放设备。

第 1 步：从控制面板>硬件和声音>管理音频设备 打开您的音频设置。您也可以

在系统托盘右键单击您的声音图标并选择播放设备。

第 2 步：在播放选项卡，从列表选择 Thunderobot Gaming Headset 并单击设置默认按钮。

第 3 步：在录音选项卡中，从列表中选择 Thunderobot Gaming Headset，然后单击设为默认值按钮。

针对 Mac 用户

第 1 步：从系统首选项> 点击“声音”。

第 2 步：在输出选项卡中，从列表选择 Thunderobot Gaming Headset。

第 3 步：在输入选项卡中，从列表选择 Thunderobot Gaming Headset。

九、安全与指导

安全指南

请勿将本机置于潮湿或有雨水之处；确保设备在 0 度~40 度之间，如果温度超出这一范围，请拔出设备，以便使温度稳定至最佳水平。

长时间以过大音量使用本设备可能会损害你的听力。此外，一些国家/地区的法律规定最大允许声级为 86 分贝，每天处于该声级的允许时间为 8 小时，因此，我们建议您在长时间使用此设备时将音量降低到舒服的程度。请保护您的听力

如遇到问题，可致电：4006-999-999，还可登录官网：www.leishen.cn，或关注雷神科技微信公众号，为您解决问题。

官方微信：



为满足中国电子电气产品有害物质限制相关的法律和其它要求，对本产品中有害物质，按部件分类，声明如下：

部件名称	有毒有害物质或元素					
	铅 (Pb)	汞 (Hg)	镉 (Cd)	六价铬 (Cr(VI))	多溴联苯 (PBB)	多溴二苯醚 (PBDE)
电缆 Cable	X	○	○	○	○	○
电路板组件 PWAs	X	○	○	○	○	○
塑胶部件 Plastic parts	○	○	○	○	○	○
金属部件 Metal parts	X	○	○	○	○	○

本表格依据SJ/T 11364-2014的规定编制。

○：表示该有毒有害物质在该部件所有均质材料中的含量均在GB/T 26572-2011规定的限量要求以下。

X：表示该有毒有害物质至少在该部件的某一均质材料中的含量超出GB/T 26572-2011规定的限量要求。

表中标记“X”的部件，皆因全球技术发展水平限制而无法实现有害物质的替代。



在中华人民共和国境内销售的电子电气产品必须标识此标志，标志内的数字代表在正常的使用状态下的产品的环保使用期限。

中国环保材料内容宣布-仅适用于中国

